



## EP344

### Product name

Earth Positive® Raw Hem Sweat Shorts

### Fibres composition / Yarn type

100% GOTS Organic Cotton Compact Spun

### Fabric type / Weight

3-ply french terry brushed 300 g/m<sup>2</sup>

### Commodity code

6103 4200 00

### Origin

India

### Available sizes

XS S M L XL 2XL

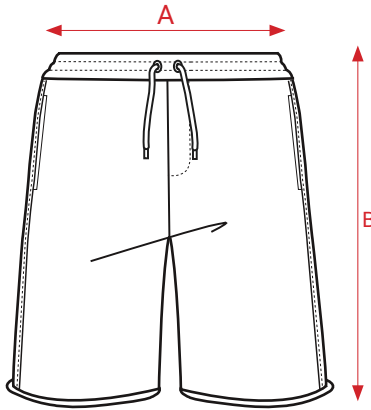
### Certifications



### Available colours



Black  
BL



### Size spec

Size	Width (A)		Length (B)	
	cm	inch	cm	inch
XS	34	13½	52	20½
S	37	14½	55	21½
M	40	15¾	58	22¾
L	43	17	59	23¼
XL	46	18	60	23½
2XL	49	19¼	60	23½

# EARTH POSITIVE



## Discharge printing suitability

Important: This guide serves as a general reference, and results may vary. We strongly recommend testing prior to production.

### Core colours

	Very Good	Moderate	Not Suitable
 <b>Black</b> BL	✓		

## Printing Guide

Print type	Print type	Printing suitability 0 = Not Suitable, 1 = Poor, 2 = Moderate, 3 = Good, 4 = Very Good, 5 = Excellent	Printing recommendations
Fleece 100% Organic Cotton solid colours (excluding RFD & Sueded colours)	Screen print	★★★★★	Follow manufacturer's recommendations for printing and curing settings.
	Discharge	★★★★★	The results may vary from one colour to another. Refer to our discharge printing recommendations on the following page.
	Transfer (Sticker)	★★★★☆	Follow manufacturer's recommendations for curing settings.
	Direct to garment	★★★★★	Follow manufacturer's recommendations for printing and curing settings.
	Embroidery	★★★★★	Direct embroidery, stitched patch, labels

**\*Maximum heat recommendation for back neck label** Fusing 180°C / 3-6 sec, 6 psi  
Curing 180°C / 1 min